

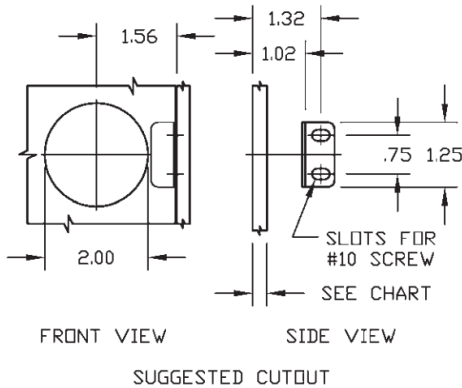
1030 / 1031 Plastic Pull Handle Latch

Features

- Simple push-to-close latch ideal for small compartments or doors
- To open, pull ring; to close, push door closed
- Made of UV resistant thermoplastic
- Supplied with mounting bracket and stainless steel striker plate and mounting screws
- Available as locking or non-locking options, locking version supplied with one key
- 10 different key codes available, "100" - "109"
- Available in matt black or matt white

Material

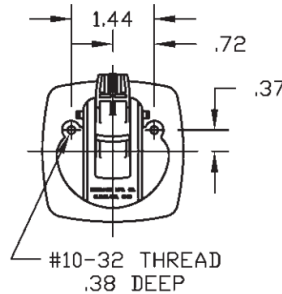
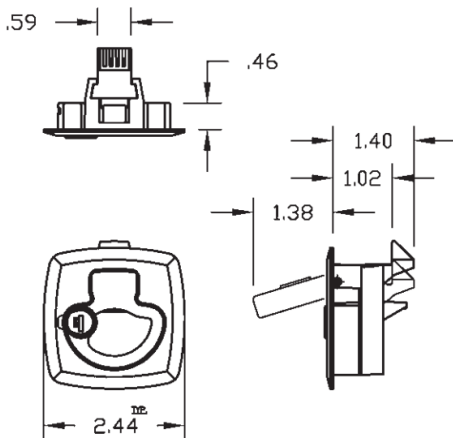
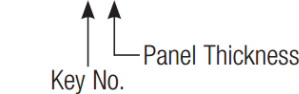
- Thermoplastic, matt black or matt white finish



1030-1031

Number	Panel Thickness		Mtg. Bracket Height	Mtg. Screw Length
	Min.	Max.		
1031-100A	.035	.275	.59	.50
1031-100B	.275	.475	.59	.69
1031-100C	.475	.675	.15	.50
1031-100D	.675	.875	.15	.69

Key cylinder available in key nos. 100 through 110. Assemblies to be ordered with the key number as part of the part number as shown.



Part No.	Type
1030-100A	Non-Key Locking
1030-100B	
1030-100C	
1030-100D	

Part No.	Type
1031-100A	Key Locking
1031-100B	
1031-100C	
1031-100D	

Dimensions in inches